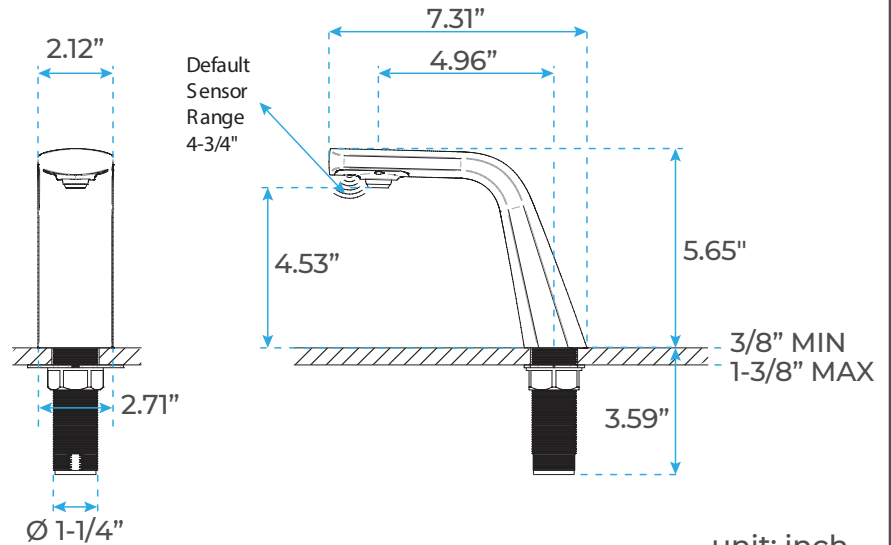


# TOUCHLESS COMMERCIAL AUTOMATIC SENSOR FAUCET IN MATTE BLACK SPECIFICATIONS



## Size



unit: inch

## Specs

Minimum operating pressure : 7.5 psi dynamic pressure

Flow rate : 0.5 GPM or 0.35 GPM

Water supply : Pre-mixed

Stainless steel grade : AISI 304 Stainless steel

Hot water temperature : Max 122°F

Sensor range : Preset 5" (adjustable). Min range 2 1/2" - Max range 16"

Comfort delay : 2 seconds ±20%

Security cut-off : 30 seconds ±20%

Power supply - mains : Input: 100 - 240V; 50 - 60Hz; 1.5A

Output: 6v DC, 1A, 6W max.

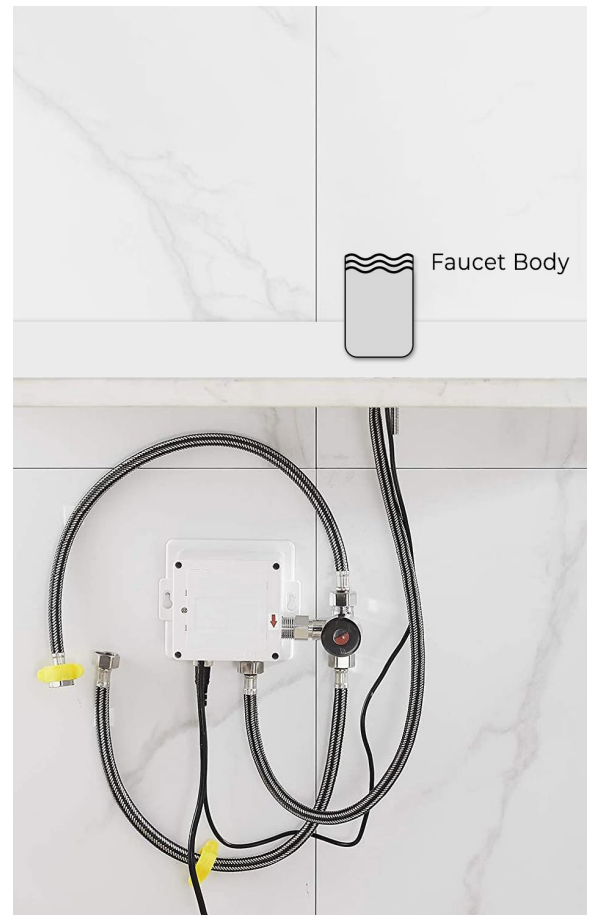
Waterproof connection to sensor leads

Counter top cut-out (dia) : Ø1 1/4"

Maximum countertop thickness : 1 3/8"

Reflective surfaces :Not to be installed above highly polished basins, or waste outlets.

## Overview



All dimensions and specifications are nominal and may vary. Use actual products for accuracy in critical situations.